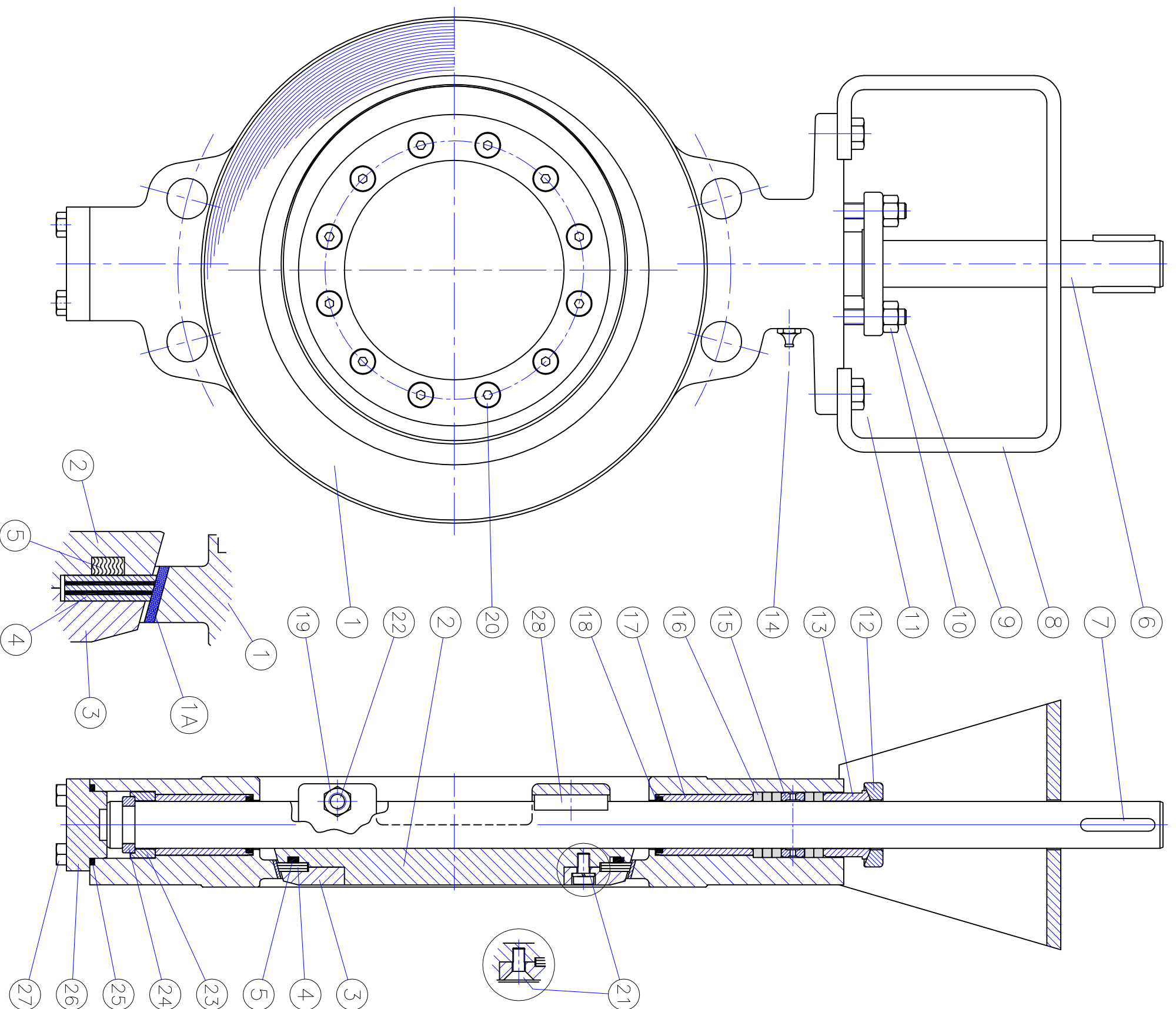


SS01M series - METAL SEATED BUTTERFLY VALVE - ANSI150

MATERIALI STANDARD - Standard Material

Item	DESCRIZIONE - Description	CARBON STEEL VALVE	316 STAINLESS STEEL VALVE	Qty
1	CORPO - Body	P355 NH DIN EN10028-3 ASTM A 216 WCB	ASTM A 182 Gr. F 316 ASTM A 351 CF8M	1
1A	SEDE - Body seat	Stellite Gr. 21 Weld Overlay	Stellite Gr. 21 Weld Overlay	
2	DISCO - Disc	P355 NH DIN EN10028-3 ASTM A216 WCB N.P.	ASTM A 182 Gr. F 316 ASTM A 351 CF8M	1
3	ANELLO DI PRESSIONE - Ring	P355 NH DIN EN10028-3	ASTM A 182 Gr. F 316	1
4	LAMELLARE - Lamellar seal ring	DUPLEX + Graphite	DUPLEX + Graphite	1
5	SPROMETALLICA - Spiral wound gasket	ASTM A 182 Gr. F 316	ASTM A 182 Gr. F 316	1
6	STELO - Shaft	ASTM A 182 Gr. F 316	ASTM A 182 Gr. F 316	1
7	LINGUETTA - Key	ASTM A 182 Gr. F 316	ASTM A 182 Gr. F 316	1
8	CASTELLETTA - Braking	Carbon Steel N.P.	Carbon Steel N.P.	1
9	PRIGIONIERO - Stud bolt	A2 (AISI 304)	A2 (AISI 304)	2
10	DADO - Nut	A2 (AISI 304)	A2 (AISI 304)	2
11	VITE - Screw	A2 (AISI 304)	A2 (AISI 304)	4
12	PIASTRA PREMISTOPPA - Plate	ASTM A 105	ASTM A 182 Gr. F 316	1
13	ANELLO PREMISTOPPA - Ring	ASTM A 105	ASTM A 182 Gr. F 316	1
14	INGRASSATORE - Grease nipples	Stainless Steel	Stainless Steel	1
15	LANTERNA - Lantern Ring	ASTM A 182 Gr. F 316	ASTM A 182 Gr. F 316	1
16	PACCO STOPPA - Packing	Graphoil	Graphoil	5
17	BOCCOLA - Bearing	ASTM A 182 Gr. F 316 nit.	ASTM A 182 Gr. F 316 nit.	2
18	ANELLO DI PROTEZIONE - Bearing protector ring	Graphite	Graphite	2
19	DADO - Nut	A4 (AISI 316)	A4 (AISI 316)	2
20	VITE - Screw	A4 (AISI 316)	A4 (AISI 316)	6+16
21	RONDELLA ELASTICA / Spring lock washer	Stainless Steel	Stainless Steel	6+16
22	SPINA CONICA - Taper pin	AISI 420	NITRONIC 50	2
23	ANELLO REGGISPINTA - Thrust bearing	AISI 316	NITRONIC 50	1
24	RONDELLA REGGISPINTA - Thrust washer	AISI 316	AISI 316	1
25	SPROMETALLICA - Spiral wound gasket	AISI 316 + Graphite	AISI 316 + Graphite	1
26	FLANGIA INFERIORE - Bottom flange	ASTM A 105	ASTM A 182 Gr. F 316	1
27	VITE - Screw	A2 (AISI 304)	A2 (AISI 304)	4
28	LINGUETTA DISCO - Disc Key	AISI 420	NITRONIC 50	1



SEMILAVORATO / SEMIFINISHED	TOLL. GENERALI/GENERAL TOLERANCE	COMPRESSO / ASSEMBLY
///	>6 Ø 6 ±0.1	VALVOLE S01M TRIPLOCCENTRICO (WAFER)
MATERIALE / MATERIAL	>6 Ø 30 ±0.2	
PSO / WEIGHT (kg)	>30 Ø 120 ±0.3	
TREATMENT / TREATMENTS	>120 Ø 400 ±0.5	
	>400 ±0.8	
A2	SCALE / SCALE	
	SMISURI NON QUOTATI / BEVELS NOT DIMENSIONS	
	0.5x45°	
	DESIGNATO / DWN	
	LUCIANI G.	
	23/02/10	
	CONTROLLO / CKD	
	DATA / DATE	
	R1	
	LISTA COMPONENTI E MATERIALI	
	EMISSIONE / EMISSION	
	19/05/06	
	DATA / DATE	
	FIRMA/SIGNATURE	
	COMPRESSO / ASSEMBLY	
	VALVOLE S01M TRIPLOCCENTRICO (WAFER)	
	MT054-W	
	0 1	