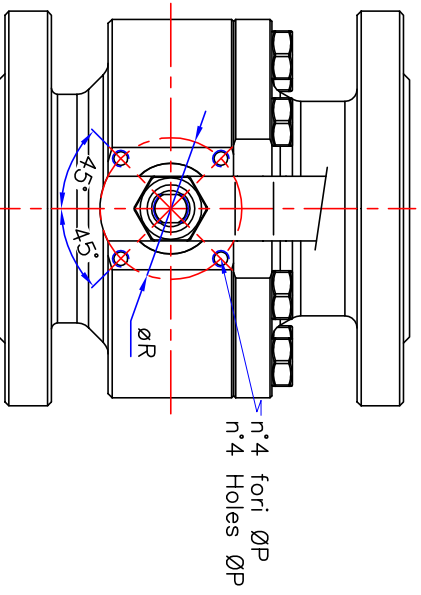


Item	Description	Carbon steel	Stainless steel	Qty
1	Body	C.S. ASTM A350 LF2	S.S. ASTM A351 CF8M or ASTM A479 316L	1
2	Ball	S.S. ASTM A351 CF8M or ASTM A479 316L	S.S. ASTM A351 CF8M or ASTM A479 316L	1
3	Plug	C.S. ASTM A350 LF2	S.S. ASTM A351 CF8M or ASTM A479 316L	1
4	Stem	Stainless steel AISI304	Stainless steel AISI316	1
5	Nut	Stainless steel A2	Stainless steel AISI316	2
6	Stop pin	EN-P Carbon steel	Stainless steel AISI303	1
7	Ball/valve springs	EN-P Carbon steel	EN-P Carbon steel	2
8	Gland packing	EN-P Carbon steel	Stainless steel AISI316	1
9*	Stuffing box	R-PTFE	R-PTFE	1
10*	Stem seal ring	R-PTFE	R-PTFE	1
11*	Seal	R-PTFE	R-PTFE	2
12*	O-ring	Fe 30 B zinc plated	Viton	1
13	Hand lever	Fe 30 B zinc plated	Stainless steel AISI304	1
14	Anti-static device	Stainless steel AISI316	Stainless steel AISI316	1
15*	Gasket	R-PTFE	R-PTFE	2
16	Screw/Nut (*)	Carbon steel 8.8 / 6.8	Stainless steel A2 / A2	1

* Spare parts suggested
 ** On request for Carbon steel configuration ASTM A193 B7 / ASTM A194 gr 2H
 for Stainless steel configuration ASTM A193 B8M / ASTM A194 gr 8M



DIAM - SIZE	PN10-16										ANSI 150				PSIO WEIGHT (kg)									
	A	B	C	ØD	C1	C2	E	F	G	H	J	K	ØL	ØM		ØN	K	ØL	ØM	ØN	ØZ max	ØP	ØR	ISO
15 1/2	125	58	108	15	44.5	53.5	10	7	8	6	33	4	14	65	92.5	4	15.9	60.3	92.5	83.5	M5	36	F03	2.9
20 3/4	125	63	117	19	47.5	59.5	10	7	8	6	38	4	14	75	102.5	4	15.9	69.8	102.5	88.5	M5	36	F03	3.6
25 1	165	87	127	24	51.5	75.5	12	8	13	8	45	4	14	85	112.5	4	15.9	79.4	112.5	100	M5	42	F04	5.2
32 1 1/4	165	87	140	31	58.5	81.5	12	10	16	8	50	4	18	100	140	4	15.9	88.9	115	120	M5	42	F04	7.4
40 1 1/2	240	102	165	38	66	99	16	10	20	10	55	4	18	110	150	4	15.9	98.4	125	131	M6	50	F05	10.3
50 2	240	112	178	49	74.5	104	16	10	20	10	64	4	18	125	161	4	19	121	150	146	M6	50	F05	12.9
65 2 1/2	310	138	190	64	76	114	22	14	28	14	79	4	18	145	182.5	4	19	140	182.5	169	M8	70	F07	21.9
80 3	310	147	203	75	85	118	22	14	28	14	89	8	18	160	195	4	19	152	195	187	M8	70	F07	25.8
100 4	476	147	229	101	105	124	30	18	30	18	98	8	18	180	230	8	19	191	230	228	M8	70	F07	43.2
125 5	476	184	254	118	117	137	30	18	30	18	112	8	18	210	255	8	22.3	216	255	254	M10	103	F10	52.1
150 6	476	253	267	151	134	134	42	20	42	28	142	8	22	240	280	8	22.3	241	280	296	M12	125	F12	71.2
200 8	520	294	457	202	209	249	48	20	48	32	181	8	22	295	345	8	22.3	298	345	365	M14	140	F14	168.7

NB:
 * Misura in accordo alla ASME B16.10 ANS1150 "Short Pattern"
 Solo per DN200 (8") in accordo alla ANSI B16.10 ANS1150 "Long Pattern"
 ** Misura in accordo alla UNI EN 1092-1 PN6+PN40 e ASME B16.5 ANS1150

ATTENTION:
 * Dimension according to ASME B16.10 ANS1150 "Short Pattern"
 Only for DN200 (8") according to ASME B16.10 ANS1150 "Long Pattern"
 ** Dimension according to UNI EN 1092-1 PN6+PN40 e ASME B16.5 ANS1150